

123-227

IMPORTANT: APPLICATION NOTE

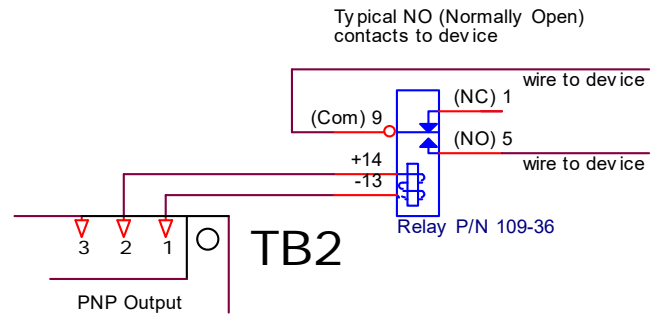
This kit is used to isolate the interlock output and provides a relay contact closure for an auxiliary device.

Wiring Diagram for PNP Output

For use on PCB's:

24-200 or 24-201 Rev. G and higher

24-490 or 24-491 Rev. J and higher



Wiring Diagram for NPN Output

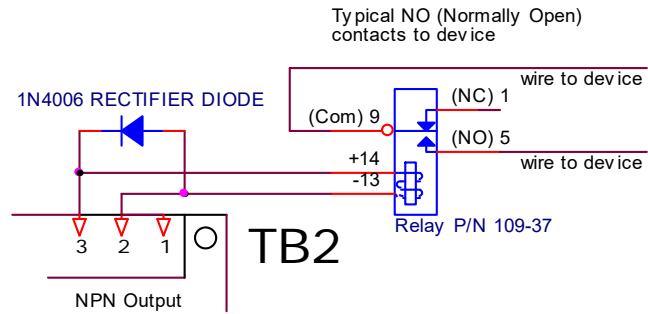
For use on PCB's:

24-200 or 24-201 Rev. F or prior

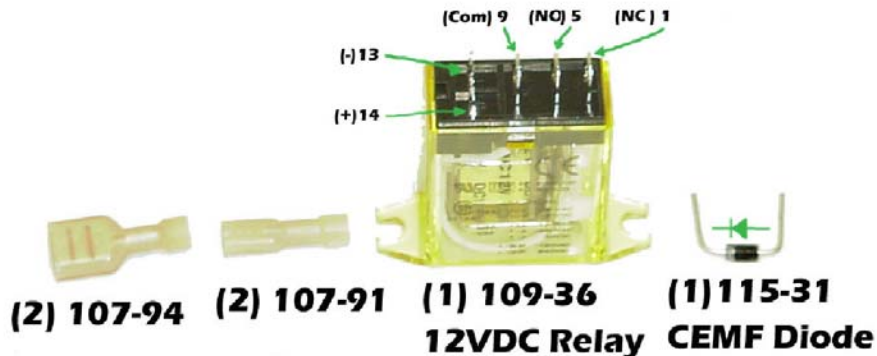
24-459 or 24-465 Rev. F or prior

24-468 or 24-469 Rev. D or prior

24-490 or 24-491 Rev. F or prior



Parts in Kit



Notes:

1. The NO (normally open) contacts from the relay are terminals 9 & 5.
2. The NC (normally closed) contacts from the relay are terminals 9 & 1.
3. A CEMF (Counter ElectroMotive Force) diode is necessary to protect the circuit on NPN boards from reverse voltage damage. Use CEMF diode when using board with NPN output.
4. The CEMF diode comes built into the PNP output board. No external CEMF diode is needed.